

AP-105 Mounting Kit

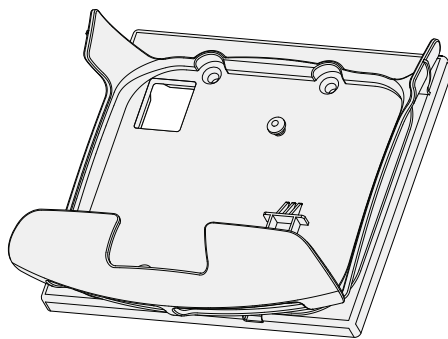
Installation Guide

Introduction

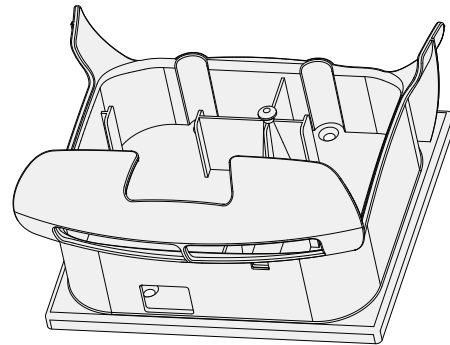
The AP-105 Wall Mounting kit provides the two options for mounting your AP-105 to a wall and provides some limited security for the device. The Box Mount Bracket should be used if the AP will be installed over a double-gang wall box and the Wall Mount Bracket should be used if the AP will be installed on a wall or ceiling (without ceiling rails).

The kit includes the following:

- 1x plastic Box Mount Bracket
- 1x plastic Wall Mount Bracket



Box Mount Bracket



Wall Mount Bracket

AP105_008

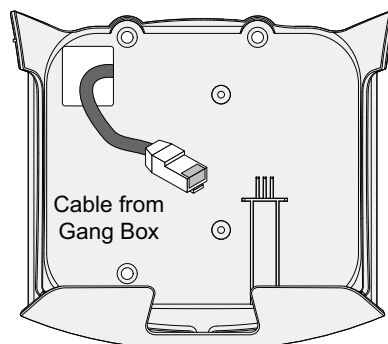
Additional Tools

- A screwdriver that matches the screws used for wall mounting or by the double-gang box.
- An M5 (Metric) or 3/16" (Standard) hex key.

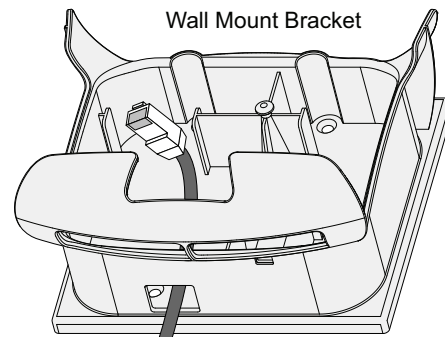
Installation

1. Before securing your mount a double-gang box or directly to the wall, route the ethernet cable through the openings show in [Figure 1](#).

Figure 1 Cable Routing



Box Mount Bracket



Wall Mount Bracket
Cable Route to ENET Port

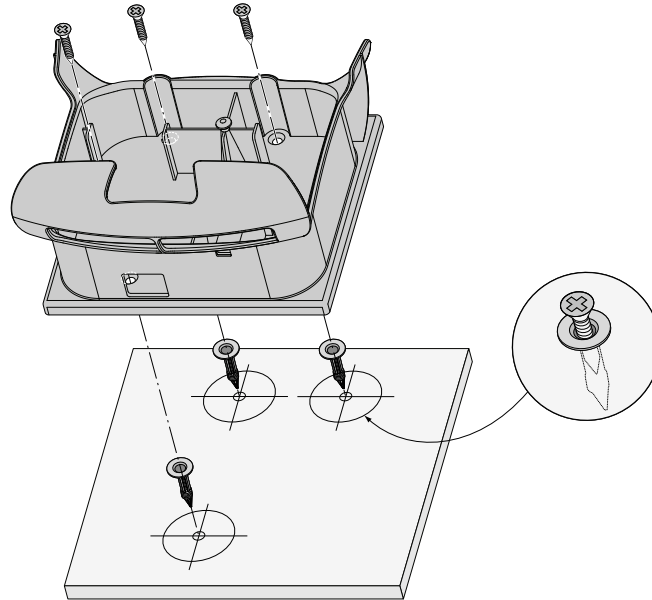
AP105_010

2. Install your mounting bracket.

For the Wall Mount Bracket (Figure 2):

- a. If you are installing your Wall Mount Bracket on drywall, install the appropriate wall anchors (not included).
- b. Align the screw holes in the mount with the holes or anchors on the wall.
- c. Insert the screws and tighten them to secure your Wall Mount Bracket.

Figure 2 Wall Installation

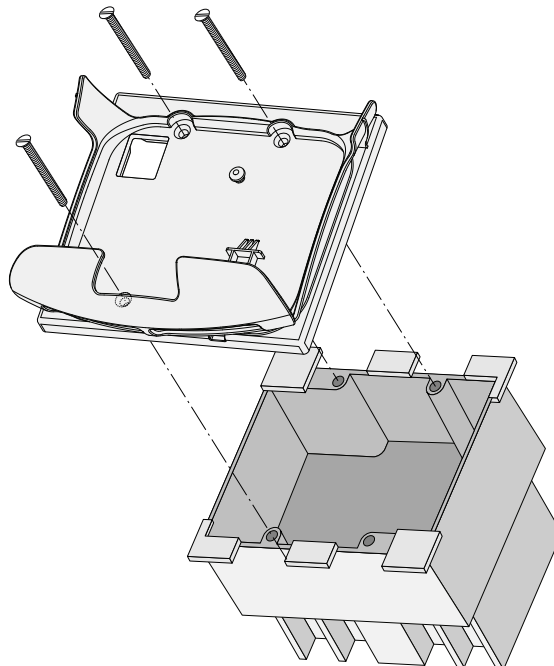


AP105_012

For the Box Mount Bracket (Figure 3):

- a. Align the screw holes in the mount with those in the gang box.
- b. Insert the screws and tighten them to secure your Box Mount Bracket.

Figure 3 Double-Gang Box Installation



AP105_011

3. Connect the ethernet cable to the ethernet port (ENET) on the back of the AP.
4. Secure the AP to the mounting bracket by aligning the mounting holes on the back the AP with the mounting post on the bracket.
5. Push the AP against the posts and downward until the posts engage the slots at the top of the mounting holes. See [Figure 4](#) and [Figure 5](#) for more details.

Figure 4 Completing the Installation (Wall Mount Bracket)

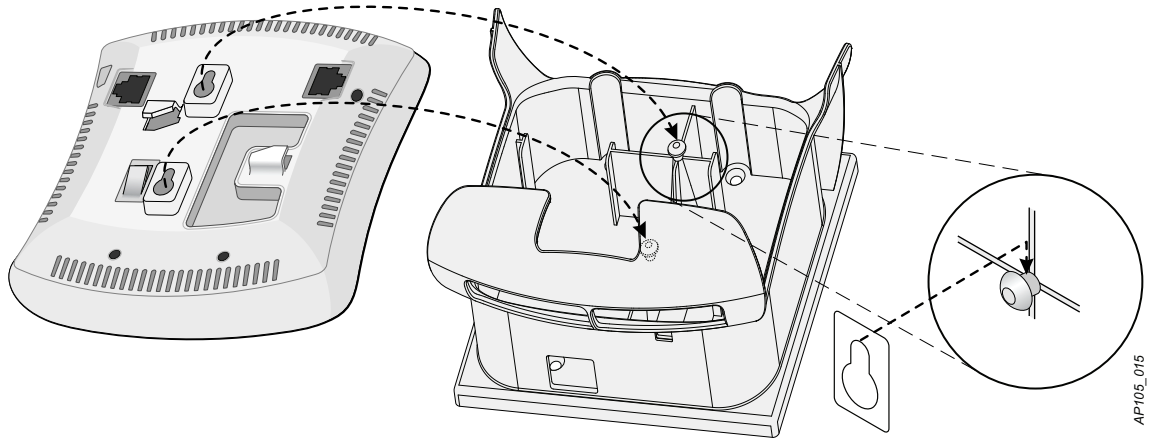


Figure 5 Completing the Installation (Box Mount Bracket)

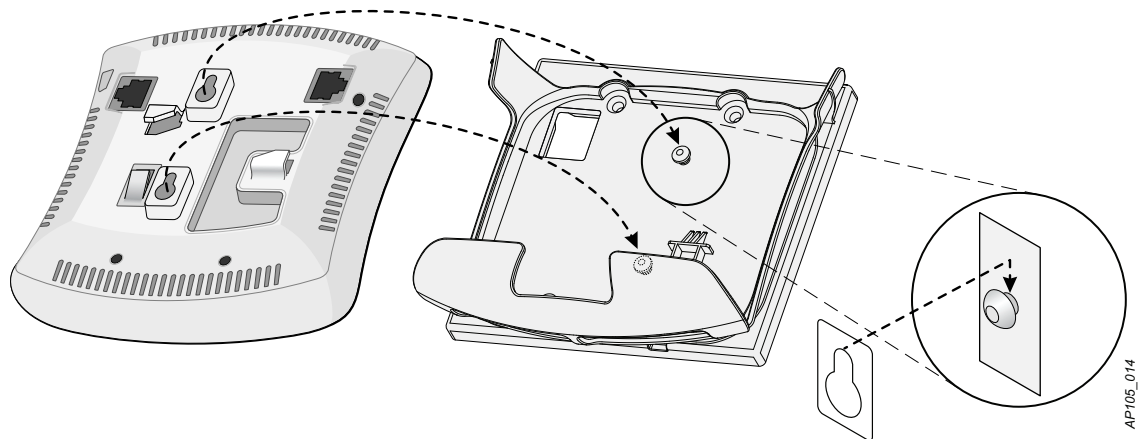


Figure 6 Completed Installation



AP in Box Mount Bracket



AP in Wall Mount Bracket

AP105_009

